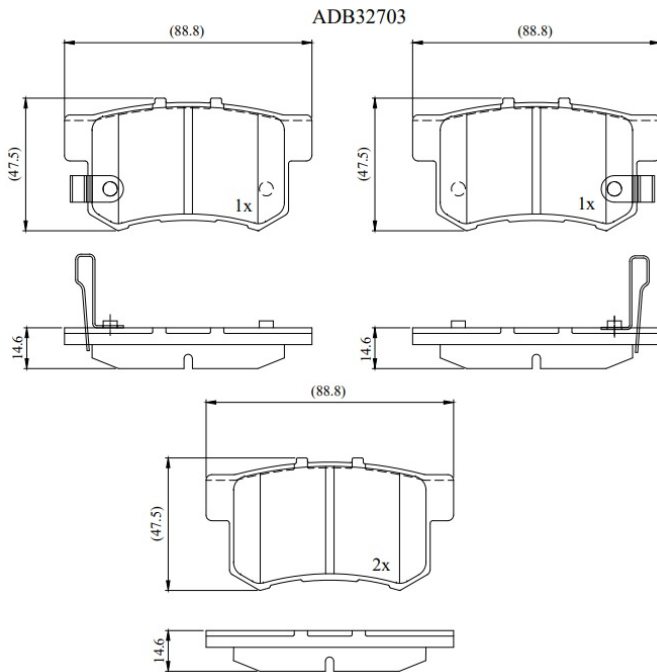


**Make: ACURA**

**Model: TSX**

**Part Number: ADB32703**

**Vehicle Manufacturing/Engine:**



### Specifications

**Fitting Position**

:

Rear

<b>Model Date</b>	:	04-Aug
<b>Or. Caliper</b>	:	
<b>WVA</b>	:	
<b>FMSI</b>	:	D365
<b>Length</b>	:	88.8
<b>Width</b>	:	47.5
<b>Thickness</b>	:	14.6