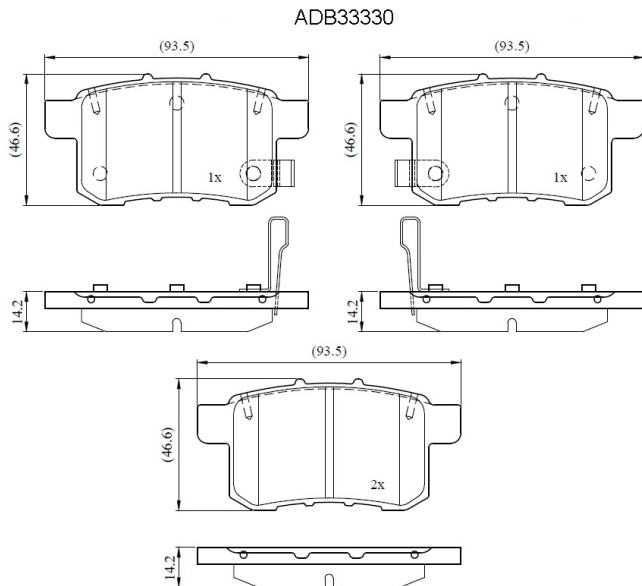


**Make: ACURA**

**Model: TSX**

**Part Number: ADB33330**

**Vehicle Manufacturing/Engine:**



## Specifications

<b>Fitting Position</b>	:	Rear
<b>Model Date</b>	:	11-Dec

<b>Or. Caliper</b>	:	
<b>WVA</b>	:	
<b>FMSI</b>	:	8447-D1451
<b>Length</b>	:	93.5
<b>Width</b>	:	46.6
<b>Thickness</b>	:	14.7