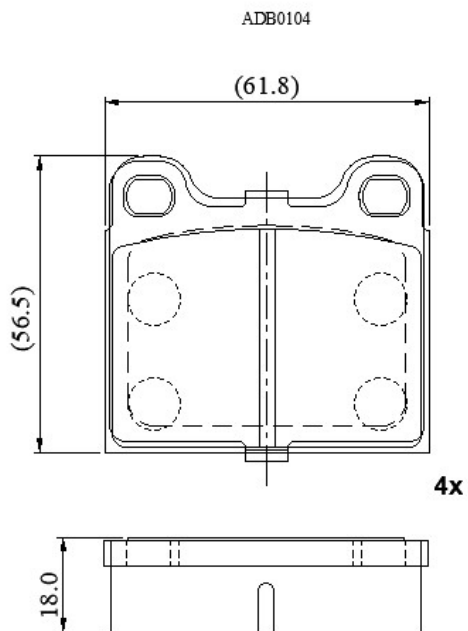


**Make: AUDI**

**Model: 80 (->86)**

**Part Number: ADB0104**

**Vehicle Manufacturing/Engine:**



## Specifications

<b>Fitting Position</b>	:	Front
<b>Model Date</b>	:	08/76-01/79
<b>Or. Caliper</b>	:	Ate
<b>WVA</b>	:	20228
<b>FMSI</b>	:	
<b>Length</b>	:	61.8
<b>Width</b>	:	56.5
<b>Thickness</b>	:	18