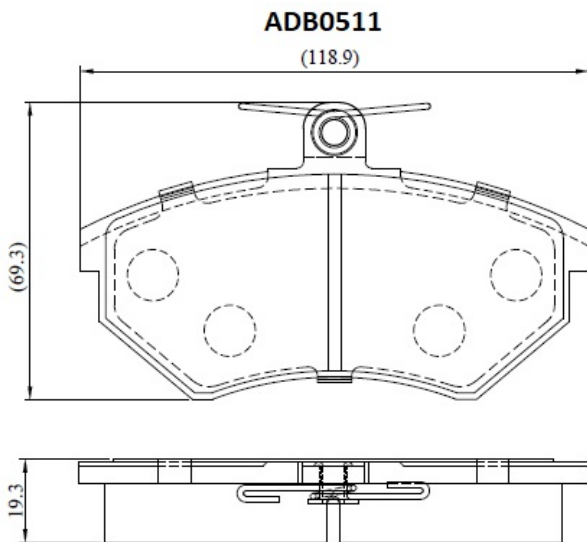


**Make: AUDI**

**Model: 80 (91->95)**

**Part Number: ADB0511**

**Vehicle Manufacturing/Engine:**



### Specifications

<b>Fitting Position</b>	:	Front
<b>Model Date</b>	:	08/91-01/95

<b>Or. Caliper</b>	:	Lucas
<b>WVA</b>	:	20168
<b>FMSI</b>	:	
<b>Length</b>	:	118.9
<b>Width</b>	:	69.3
<b>Thickness</b>	:	19.3