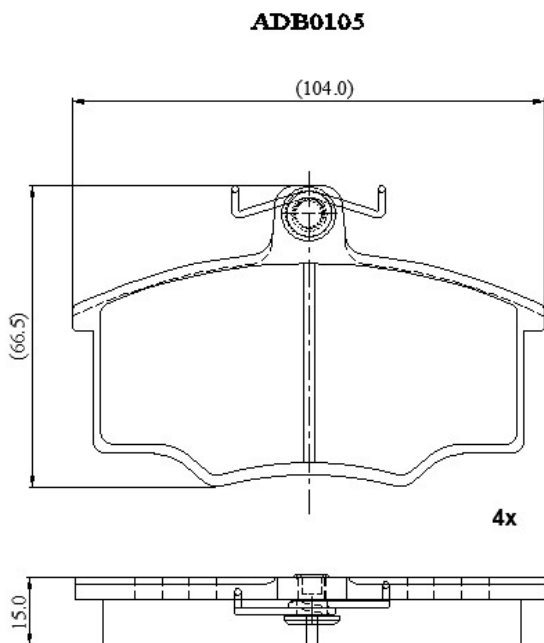


**Make: AUDI**

**Model: Coupe (-> 08/89)**

**Part Number: ADB0105**

**Vehicle Manufacturing/Engine:**



## Specifications

|                         |   |             |
|-------------------------|---|-------------|
| <b>Fitting Position</b> | : | Front       |
| <b>Model Date</b>       | : | 08/84-07/86 |
| <b>Or. Caliper</b>      | : | Lucas       |
| <b>WVA</b>              | : | 20574       |
| <b>FMSI</b>             | : |             |
| <b>Length</b>           | : | 104         |
| <b>Width</b>            | : | 66.5        |
| <b>Thickness</b>        | : | 15          |