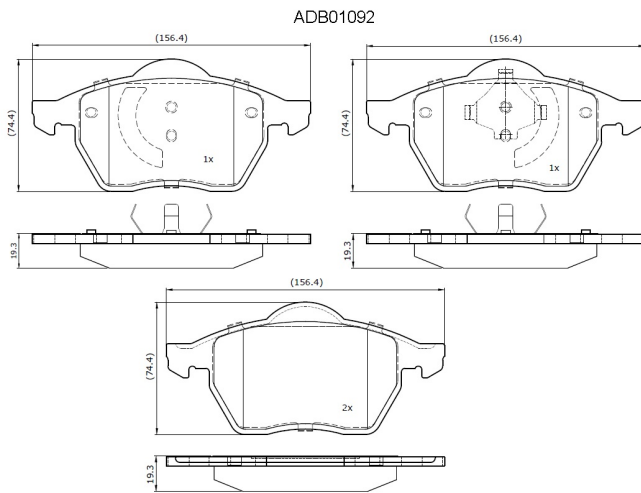


**Make: AUDI**

**Model: S3**

**Part Number: ADB01092**

**Vehicle Manufacturing/Engine:**



### Specifications

|                         |   |         |
|-------------------------|---|---------|
| <b>Fitting Position</b> | : | Front   |
| <b>Model Date</b>       | : | 10/99-> |
| <b>Or. Caliper</b>      | : | Ate     |

|                  |   |           |
|------------------|---|-----------|
| <b>WVA</b>       | : | 21911     |
| <b>FMSI</b>      | : |           |
| <b>Length</b>    | : | 156.4     |
| <b>Width</b>     | : | 74.4/74.5 |
| <b>Thickness</b> | : | 19.3      |