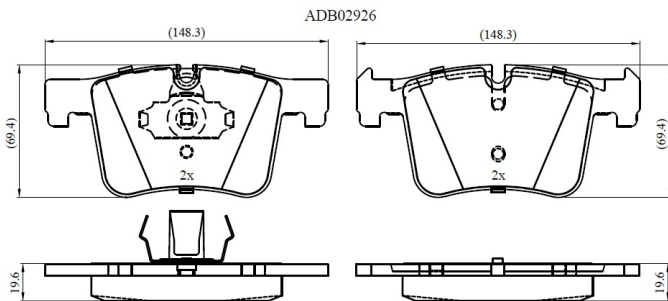


**Make: BMW**

**Model: 2 Convertible**

**Part Number: ADB02926**

**Vehicle Manufacturing/Engine:**



### Specifications

<b>Fitting Position</b>	:	Front
<b>Model Date</b>	:	2014-
<b>Or. Caliper</b>	:	
<b>WVA</b>	:	25199
<b>FMSI</b>	:	
<b>Length</b>	:	

**Width**

:

**Thickness**

: