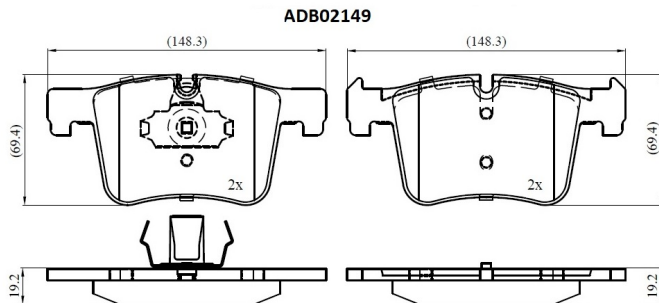


Make: BMW

Model: 3 Series - 325d

Part Number: ADB02149

Vehicle Manufacturing/Engine:



Specifications

Fitting Position	:	Front
Model Date	:	10/11-
Or. Caliper	:	Bosch
WVA	:	25199, 25200
FMSI	:	
Length	:	148.3

Width	:	69.4
Thickness	:	19.2