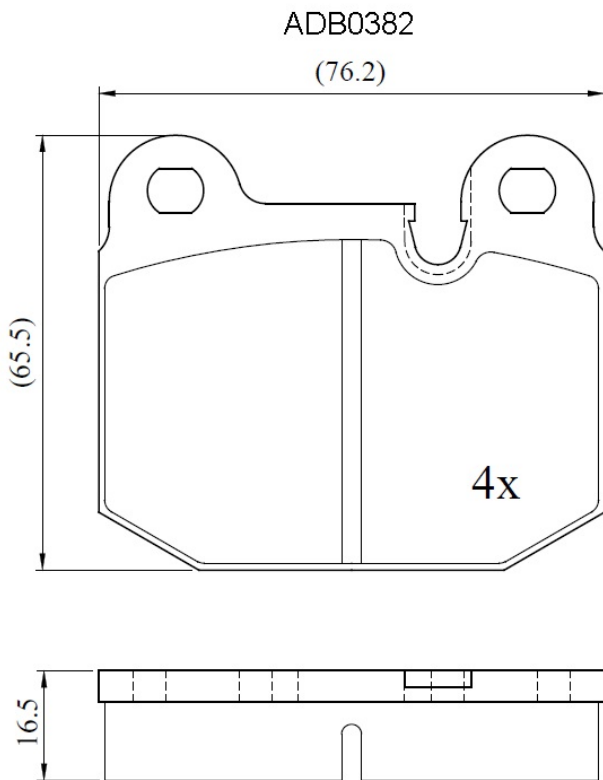


Make: BMW

Model: 316, 316i

Part Number: ADB0382

Vehicle Manufacturing/Engine:



Specifications

Fitting Position	:	Front
Model Date	:	08/75-07/82
Or. Caliper	:	Ate/Lucas
WVA	:	20588
FMSI	:	
Length	:	76.2
Width	:	65.5
Thickness	:	16.5