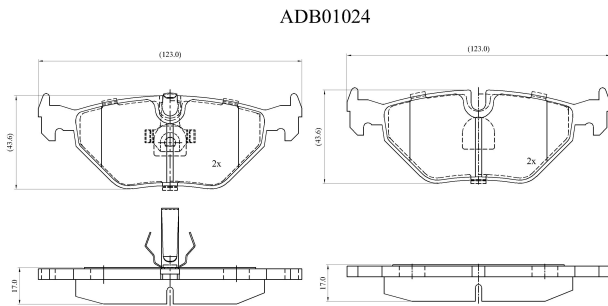


Make: BMW

Model: 318 TDS

Part Number: ADB01024

Vehicle Manufacturing/Engine:



Specifications

Fitting Position	:	Rear
Model Date	:	07/01->
Or. Caliper	:	Ate
WVA	:	21933

FMSI	:	
Length	:	122.7/123.0
Width	:	44.6/44.4
Thickness	:	17