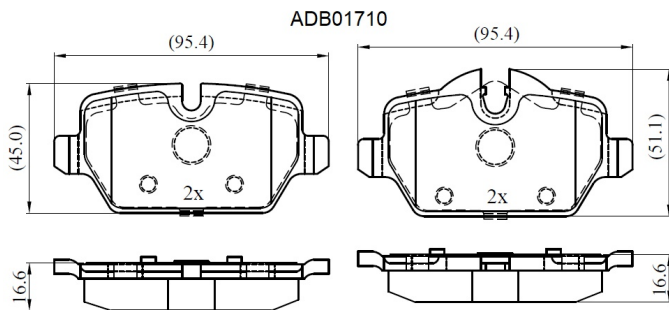


Make: BMW

Model: 318d, 318i

Part Number: ADB01710

Vehicle Manufacturing/Engine:



Specifications

Fitting Position	:	Rear
Model Date	:	09/05->
Or. Caliper	:	Lucas
WVA	:	2,36,23,23,624
FMSI	:	
Length	:	95.4

Width	:	45.1/51.2
Thickness	:	16.6