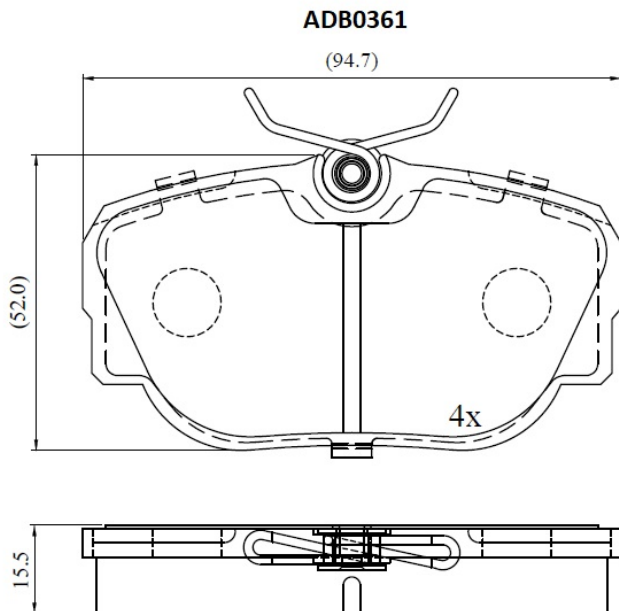


**Make: BMW**

**Model: 318i S**

**Part Number: ADB0361**

**Vehicle Manufacturing/Engine:**



### Specifications

**Fitting Position**

:

Front

<b>Model Date</b>	:	06/90-04/91
<b>Or. Caliper</b>	:	Lucas
<b>WVA</b>	:	21173
<b>FMSI</b>	:	
<b>Length</b>	:	94.7
<b>Width</b>	:	52
<b>Thickness</b>	:	17