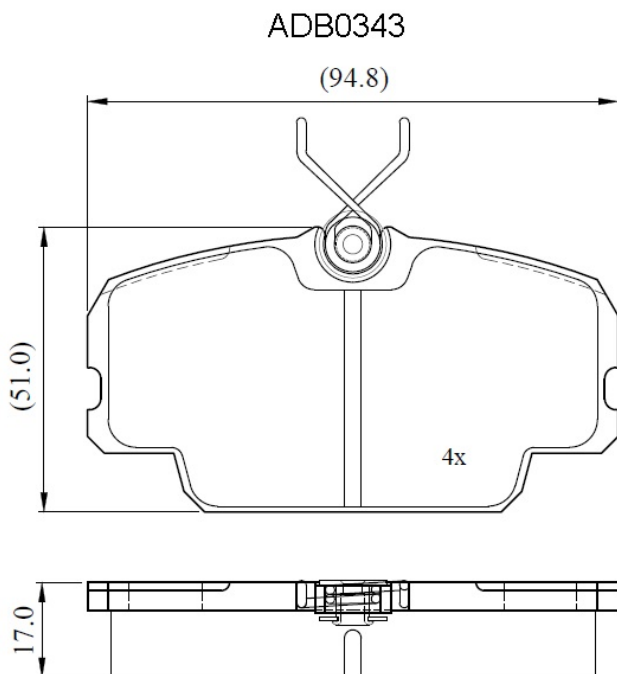


Make: BMW

Model: 325i, 325i E

Part Number: ADB0343

Vehicle Manufacturing/Engine:



Specifications

Fitting Position	:	Front
Model Date	:	02/85-04/91
Or. Caliper	:	Ate
WVA	:	2,07,49,20,890
FMSI	:	
Length	:	94.75
Width	:	51
Thickness	:	17