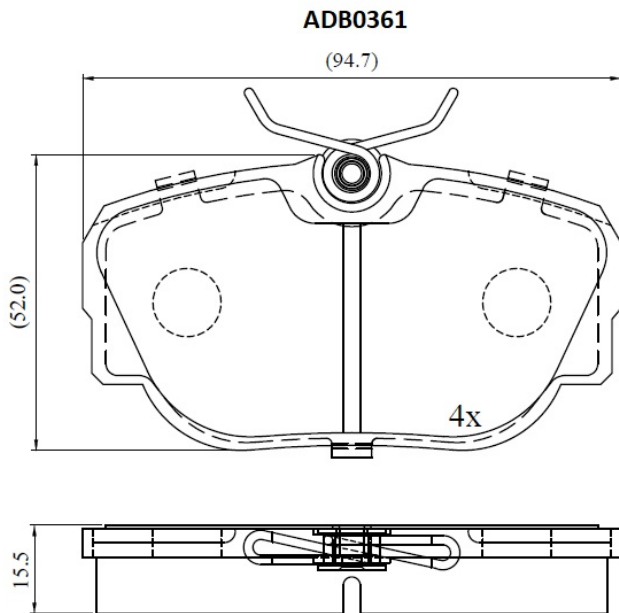


Make: BMW

Model: 325i X 4x4

Part Number: ADB0361

Vehicle Manufacturing/Engine:



Specifications

Fitting Position

:

Front

Model Date	:	09/88-04/91
Or. Caliper	:	Lucas
WVA	:	21173
FMSI	:	
Length	:	94.7
Width	:	52
Thickness	:	17