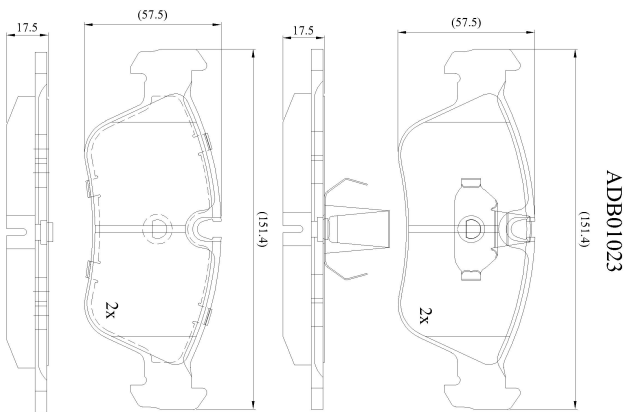


Make: BMW

Model: 328i

Part Number: ADB01023

Vehicle Manufacturing/Engine:



Specifications

Fitting Position	:	Front
Model Date	:	08/98->
Or. Caliper	:	Ate
WVA	:	23287
FMSI	:	
Length	:	151.4
Width	:	57.5
Thickness	:	17.5