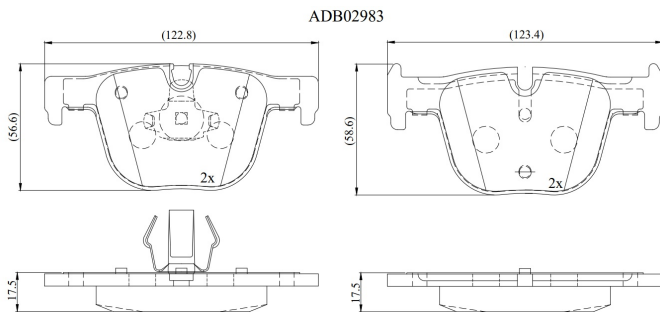


**Make: BMW**

**Model: 4 Coupe**

**Part Number: ADB02983**

**Vehicle Manufacturing/Engine:**



### Specifications

|                         |   |       |
|-------------------------|---|-------|
| <b>Fitting Position</b> | : | Rear  |
| <b>Model Date</b>       | : | 2014- |
| <b>Or. Caliper</b>      | : |       |
| <b>WVA</b>              | : | 25514 |
| <b>FMSI</b>             | : |       |
| <b>Length</b>           | : |       |

**Width**

:

**Thickness**

: