

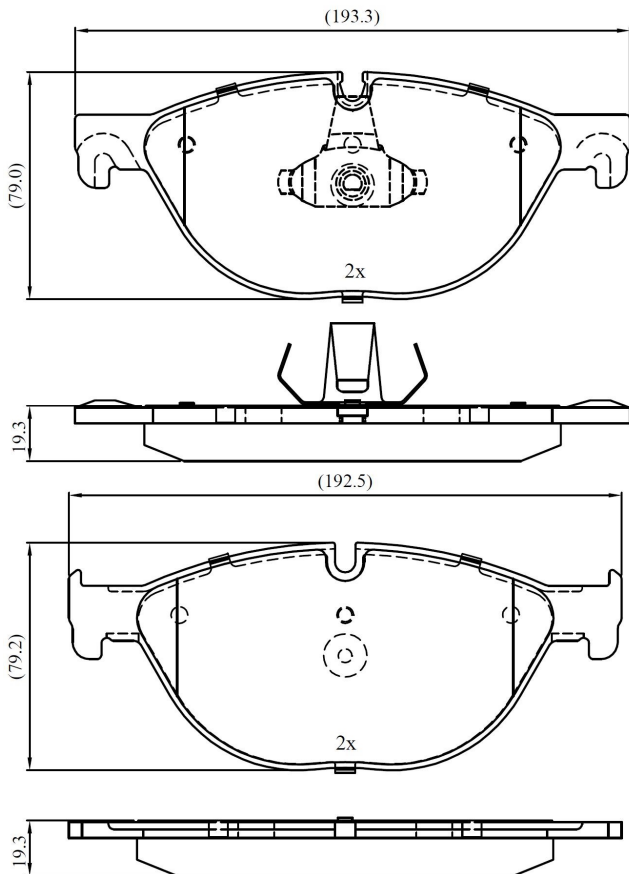
Make: BMW

Model: 7 Series

Part Number: ADB06017

Vehicle Manufacturing/Engine:

ADB06017



Specifications

Fitting Position

:

Front

Model Date	:	08-
Or. Caliper	:	
WVA	:	25045, 25046
FMSI	:	
Length	:	193.30/192.50
Width	:	79.2
Thickness	:	19.3