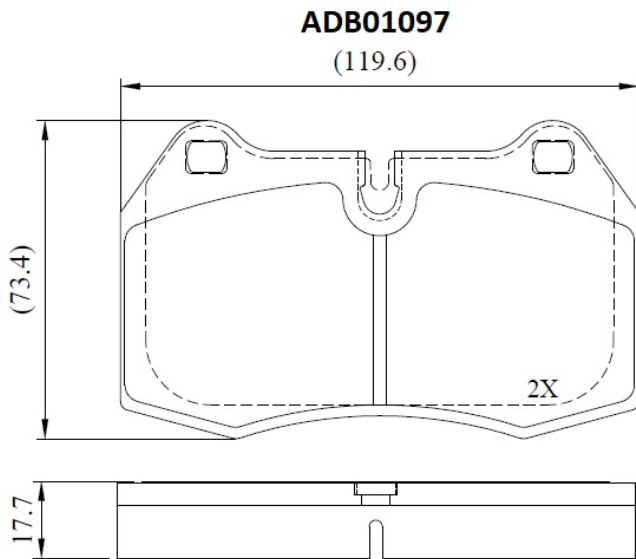


Make: BMW

Model: 735i

Part Number: ADB01097

Vehicle Manufacturing/Engine:



Specifications

Fitting Position	:	Front
Model Date	:	08/94-01/02

Or. Caliper	:	Brembo
WVA	:	21471
FMSI	:	
Length	:	119.6
Width	:	73.4
Thickness	:	17.7