

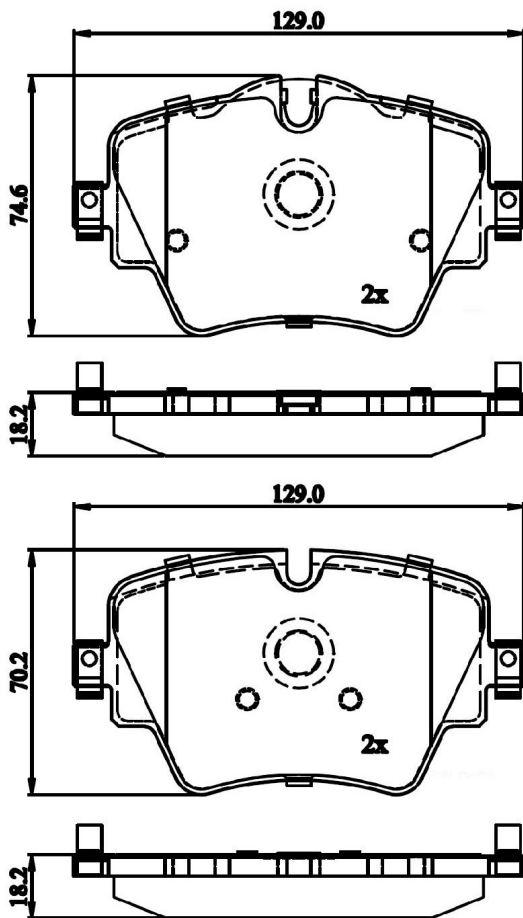
**Make: BMW**

**Model: Mini Clubman**

**Part Number: ADB02319**

**Vehicle Manufacturing/Engine:**

### ADB02319



## Specifications

<b>Fitting Position</b>	:	Front
<b>Model Date</b>	:	07/15->
<b>Or. Caliper</b>	:	
<b>WVA</b>	:	25617, 25618
<b>FMSI</b>	:	
<b>Length</b>	:	129
<b>Width</b>	:	74.60/70.20
<b>Thickness</b>	:	18.2