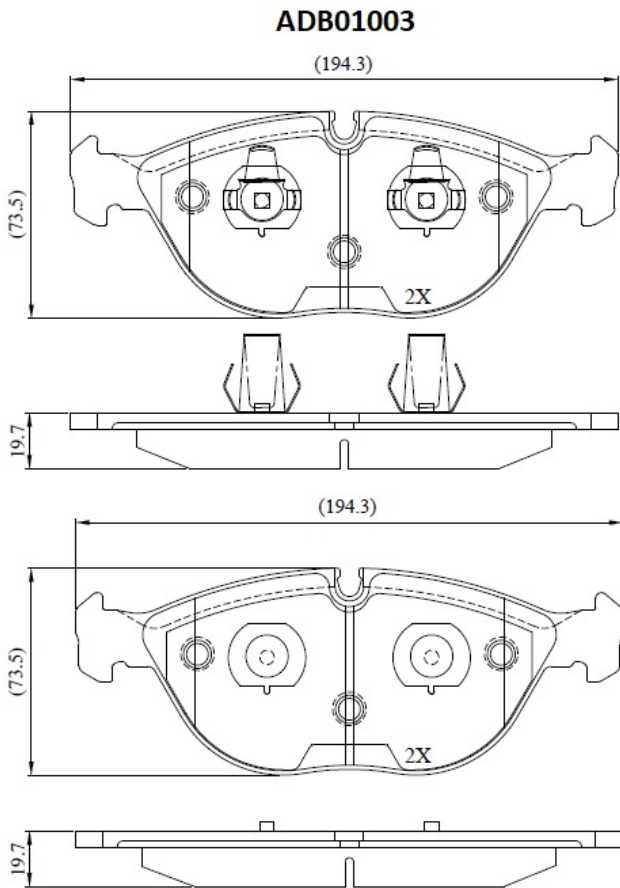


Make: BMW

Model: Z8

Part Number: ADB01003

Vehicle Manufacturing/Engine:



Specifications

Fitting Position

:

Front

Model Date	:	00-03->
Or. Caliper	:	
WVA	:	21484, 21485
FMSI	:	
Length	:	194.5
Width	:	73.5
Thickness	:	20