

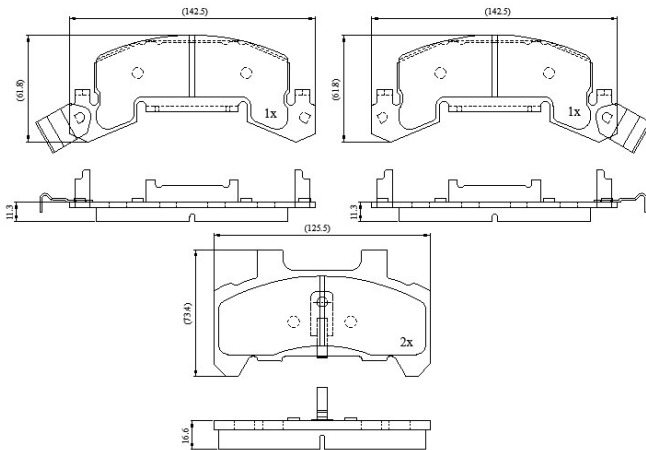
**Make: BUICK**

**Model: Skylark**

**Part Number: ADB3417**

**Vehicle Manufacturing/Engine:**

ADB3417



### Specifications

<b>Fitting Position</b>	:	Front
<b>Model Date</b>	:	09/85-12/90
<b>Or. Caliper</b>	:	Bendix

<b>WVA</b>	:	
<b>FMSI</b>	:	
<b>Length</b>	:	125.5/142.5
<b>Width</b>	:	73.4/64.0
<b>Thickness</b>	:	16.6/11.3