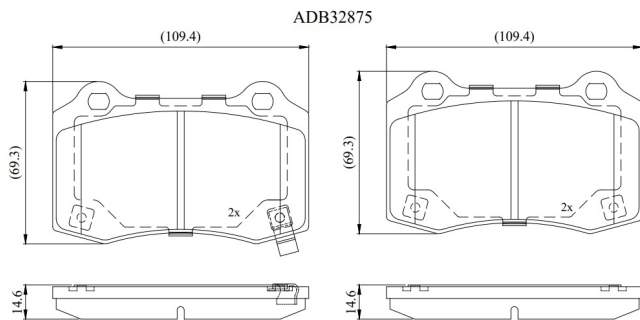


**Make: CHEVROLET**

**Model: 300C**

**Part Number: ADB32875**

**Vehicle Manufacturing/Engine:**



### Specifications

<b>Fitting Position</b>	:	Rear
<b>Model Date</b>	:	06-Sep
<b>Or. Caliper</b>	:	
<b>WVA</b>	:	
<b>FMSI</b>	:	7958-D1053
<b>Length</b>	:	109.4

<b>Width</b>	:	69.3
<b>Thickness</b>	:	14.6