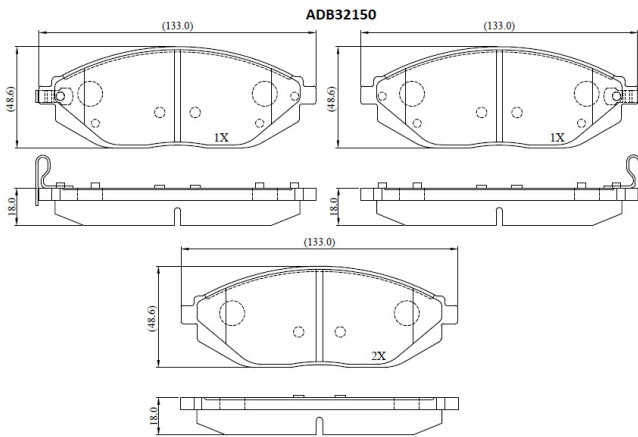


**Make: CHEVROLET**

**Model: Beat**

**Part Number: ADB32150**

**Vehicle Manufacturing/Engine:**



### Specifications

<b>Fitting Position</b>	:	Front
<b>Model Date</b>	:	01/12-
<b>Or. Caliper</b>	:	Sumitomo
<b>WVA</b>	:	25268, 25269, 25270

<b>FMSI</b>	:	
<b>Length</b>	:	133
<b>Width</b>	:	48.6
<b>Thickness</b>	:	18