

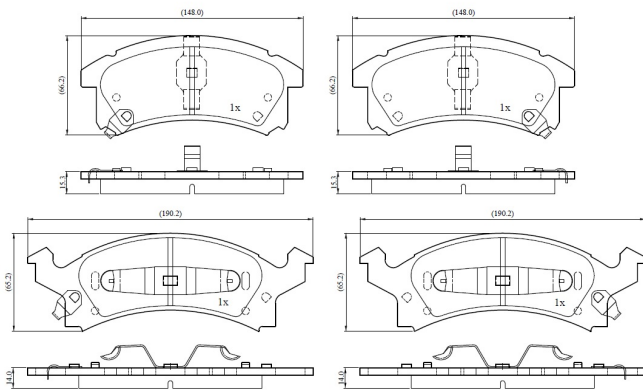
**Make: CHEVROLET**

**Model: Beretta Range**

**Part Number: ADB3483**

**Vehicle Manufacturing/Engine:**

ADB3483



### Specifications

<b>Fitting Position</b>	:	Front
<b>Model Date</b>	:	01/92-12/95
<b>Or. Caliper</b>	:	
<b>WVA</b>	:	
<b>FMSI</b>	:	

<b>Length</b>	:	147.6/190.2
<b>Width</b>	:	66.2/65.2
<b>Thickness</b>	:	15.3/14.0