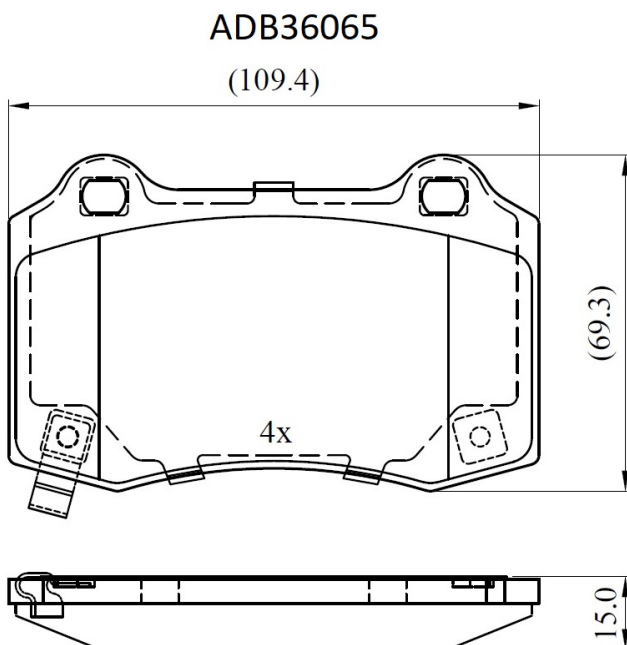


Make: CHEVROLET

Model: CAMARO

Part Number: ADB36065

Vehicle Manufacturing/Engine:



Specifications

Fitting Position

:

Rear

Model Date	:	2009-2015
Or. Caliper	:	
WVA	:	24076
FMSI	:	
Length	:	109.6
Width	:	69.1
Thickness	:	14.8