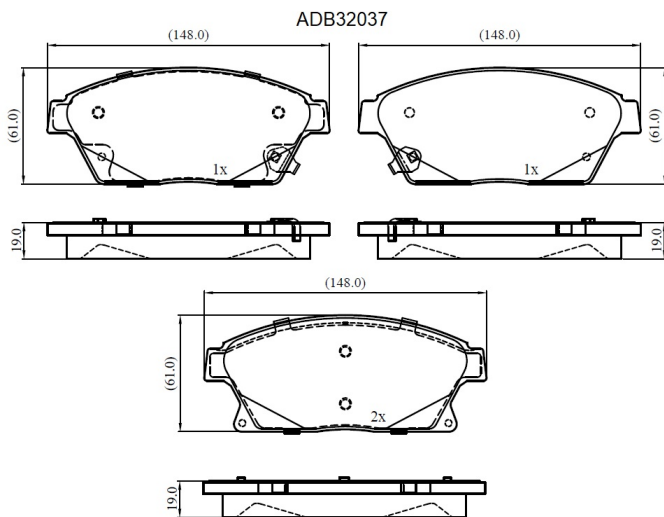


**Make: CHEVROLET**

**Model: Orlando**

**Part Number: ADB32037**

**Vehicle Manufacturing/Engine:**



### Specifications

<b>Fitting Position</b>	:	Front
<b>Model Date</b>	:	02/11-
<b>Or. Caliper</b>	:	Bosch

<b>WVA</b>	:	25034, 25035,25036
<b>FMSI</b>	:	
<b>Length</b>	:	148
<b>Width</b>	:	61
<b>Thickness</b>	:	19