

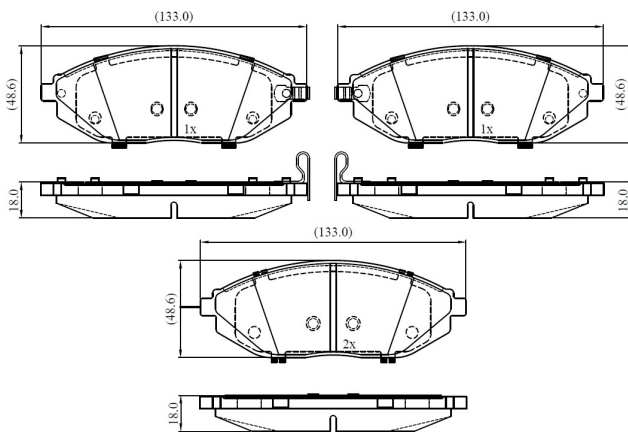
Make: CHEVROLET

Model: SPARK

Part Number: ADB33226

Vehicle Manufacturing/Engine:

ADB33226



Specifications

| | | |
|-------------------------|---|-------|
| Fitting Position | : | Front |
| Model Date | : | 2010- |
| Or. Caliper | : | |

| | | |
|------------------|---|-------|
| WVA | : | 25268 |
| FMSI | : | |
| Length | : | 133 |
| Width | : | 48.6 |
| Thickness | : | 18 |