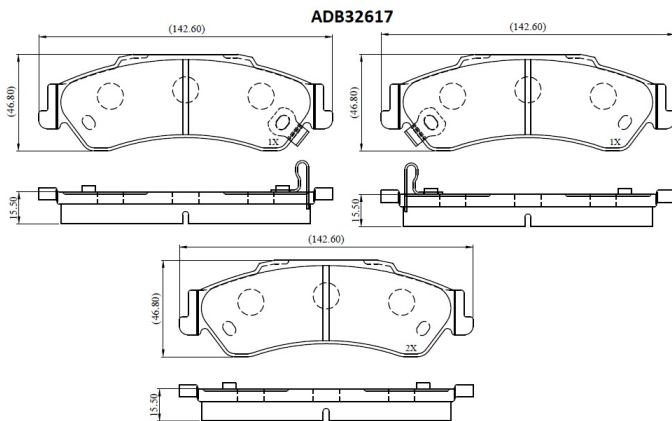


**Make: CHEVROLET/GMC**

**Model: TRUCK**

**Part Number: ADB32617**

**Vehicle Manufacturing/Engine:**



### Specifications

<b>Fitting Position</b>	:	Rear
<b>Model Date</b>	:	02-Apr
<b>Or. Caliper</b>	:	
<b>WVA</b>	:	
<b>FMSI</b>	:	D729

<b>Length</b>	:
<b>Width</b>	:
<b>Thickness</b>	: