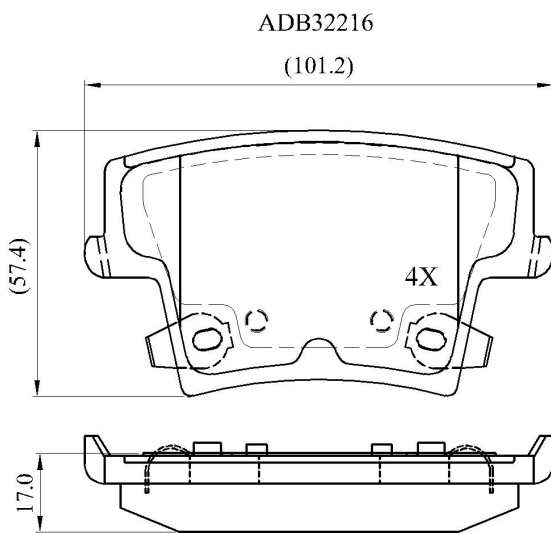


Make: CHRYSLER

Model: 300C

Part Number: ADB32216

Vehicle Manufacturing/Engine:



Specifications

Fitting Position

:

Rear

Model Date	:	11-
Or. Caliper	:	
WVA	:	24163
FMSI	:	
Length	:	101.2
Width	:	57.4
Thickness	:	17