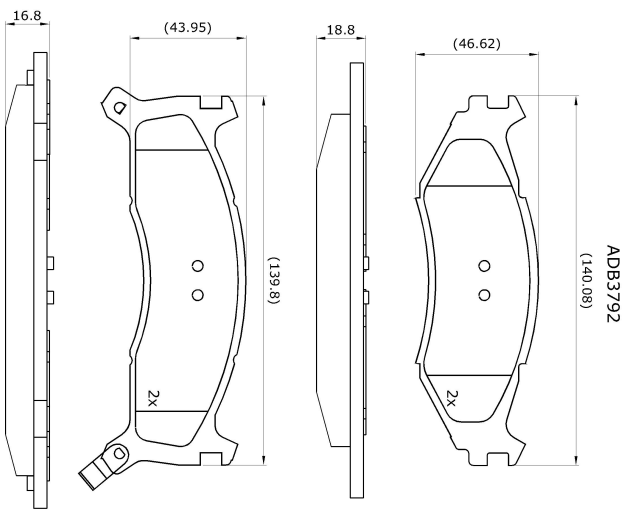


**Make: CHRYSLER**

**Model: Grand voyager**

**Part Number: ADB3792**

**Vehicle Manufacturing/Engine:**



## Specifications

<b>Fitting Position</b>	:	Front
<b>Model Date</b>	:	09/91-01/96
<b>Or. Caliper</b>	:	K-Hayes
<b>WVA</b>	:	21812
<b>FMSI</b>	:	
<b>Length</b>	:	172.5/164.8
<b>Width</b>	:	64.5/54.9
<b>Thickness</b>	:	18