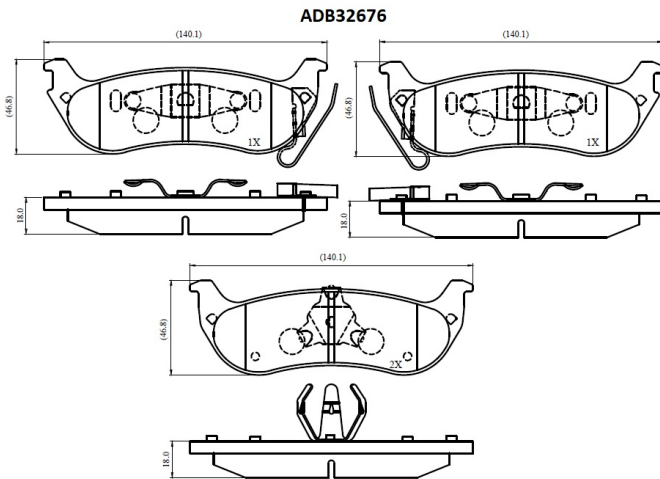


Make: CHRYSLER

Model: TRUCK Pacifica

Part Number: ADB32676

Vehicle Manufacturing/Engine:



Specifications

Fitting Position	:	Rear
Model Date	:	04-Aug
Or. Caliper	:	
WVA	:	

FMSI	:	D998
Length	:	140.1
Width	:	46.8
Thickness	:	18