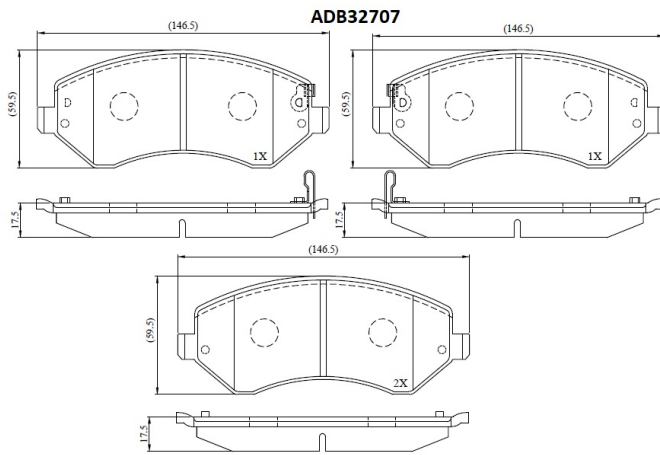


**Make: CHRYSLER**

**Model: TRUCK Voyager**

**Part Number: ADB32707**

**Vehicle Manufacturing/Engine:**



### Specifications

<b>Fitting Position</b>	:	Front
<b>Model Date</b>	:	01-Mar
<b>Or. Caliper</b>	:	
<b>WVA</b>	:	

<b>FMSI</b>	:	7732-D856
<b>Length</b>	:	
<b>Width</b>	:	
<b>Thickness</b>	:	