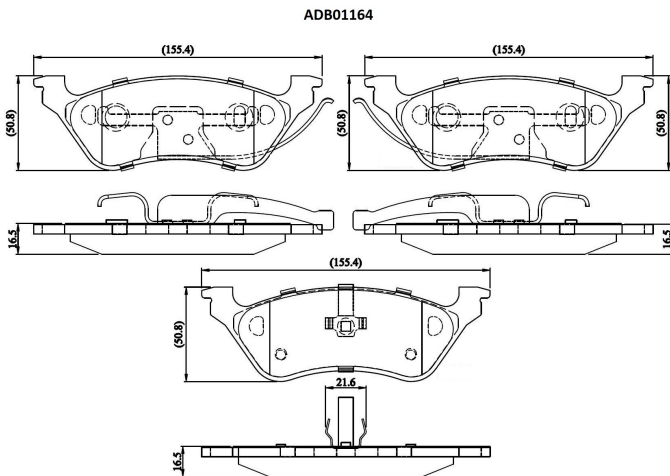


**Make: CHRYSLER**

**Model: Voyager MK III**

**Part Number: ADB01164**

**Vehicle Manufacturing/Engine:**



### Specifications

<b>Fitting Position</b>	:	Rear
<b>Model Date</b>	:	03/01-02/07
<b>Or. Caliper</b>	:	

<b>WVA</b>	:	24036
<b>FMSI</b>	:	
<b>Length</b>	:	155.4
<b>Width</b>	:	50.8
<b>Thickness</b>	:	16.5