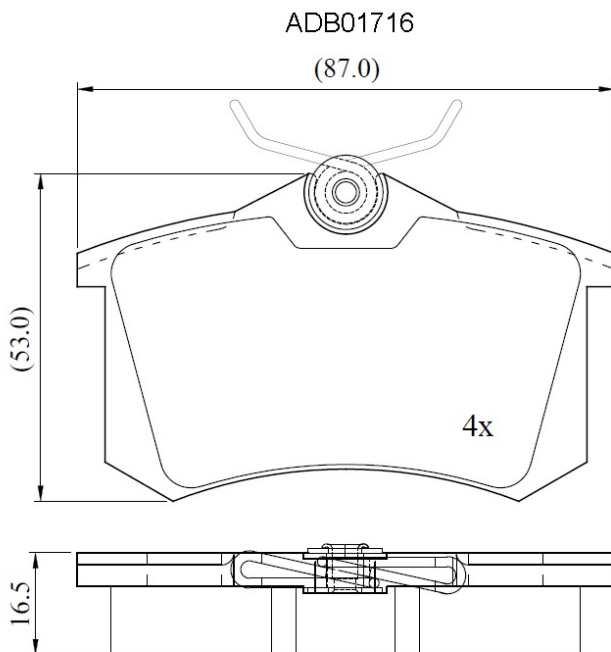


**Make: CITRON**

**Model: C2**

**Part Number: ADB01716**

**Vehicle Manufacturing/Engine:**



## Specifications

<b>Fitting Position</b>	:	Rear
<b>Model Date</b>	:	09/03->
<b>Or. Caliper</b>	:	Lucas
<b>WVA</b>	:	20961
<b>FMSI</b>	:	
<b>Length</b>	:	87
<b>Width</b>	:	53
<b>Thickness</b>	:	16.5