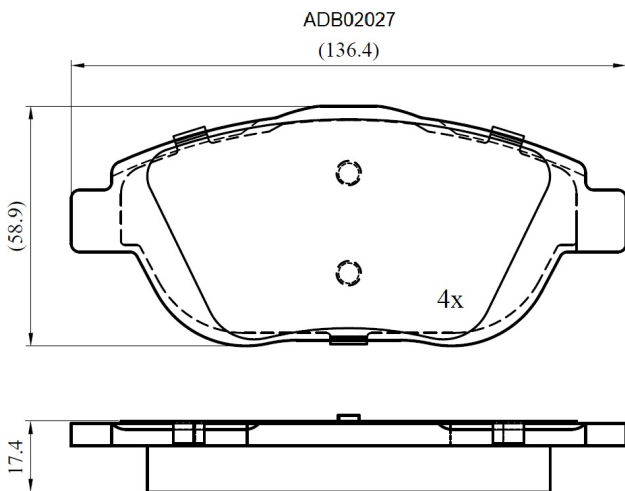


**Make: CITRON**

**Model: C3**

**Part Number: ADB02027**

**Vehicle Manufacturing/Engine:**



### Specifications

<b>Fitting Position</b>	:	Front
<b>Model Date</b>	:	02/09-
<b>Or. Caliper</b>	:	Bosch

<b>WVA</b>	:	24883
<b>FMSI</b>	:	
<b>Length</b>	:	136.6
<b>Width</b>	:	59
<b>Thickness</b>	:	17.4