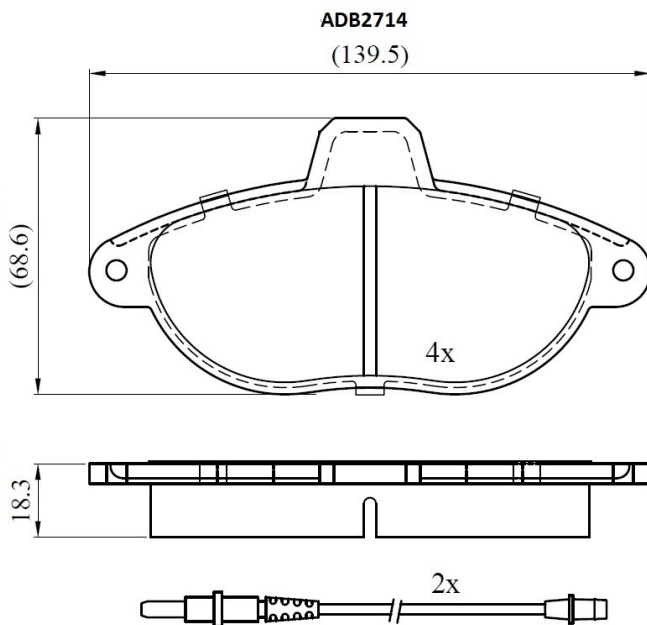


**Make: CITRON**

**Model: Dispatch/Jumpy**

**Part Number: ADB2714**

**Vehicle Manufacturing/Engine:**



### Specifications

**Fitting Position**

:

Front

|                    |   |         |
|--------------------|---|---------|
| <b>Model Date</b>  | : | 09/99-> |
| <b>Or. Caliper</b> | : | Bendix  |
| <b>WVA</b>         | : | 23003   |
| <b>FMSI</b>        | : |         |
| <b>Length</b>      | : | 139.5   |
| <b>Width</b>       | : | 68.6    |
| <b>Thickness</b>   | : | 18.3    |