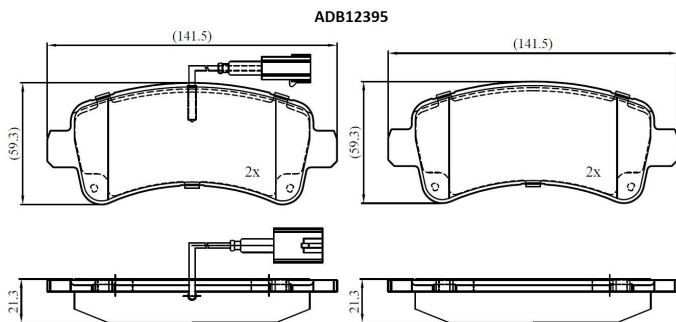


Make: CITRON

Model: RELAY Platform/Chassis

Part Number: ADB12395

Vehicle Manufacturing/Engine:



Specifications

| | | |
|-------------------------|---|----------------|
| Fitting Position | : | Rear |
| Model Date | : | 2006- |
| Or. Caliper | : | |
| WVA | : | 2,59,87,25,988 |
| FMSI | : | |
| Length | : | 141.5 |

| | | |
|------------------|---|------|
| Width | : | 59.3 |
| Thickness | : | 21.3 |