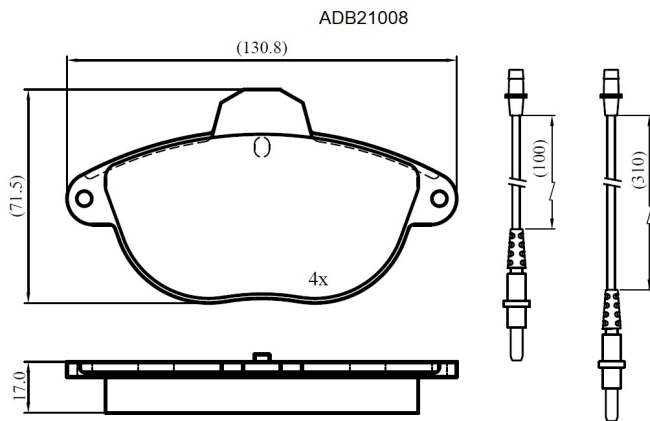


Make: CITRON

Model: Xantia Estate

Part Number: ADB21008

Vehicle Manufacturing/Engine:



Specifications

Fitting Position	:	Front
Model Date	:	01/95->
Or. Caliper	:	Bendix
WVA	:	23129

FMSI	:	
Length	:	131
Width	:	71.5
Thickness	:	17