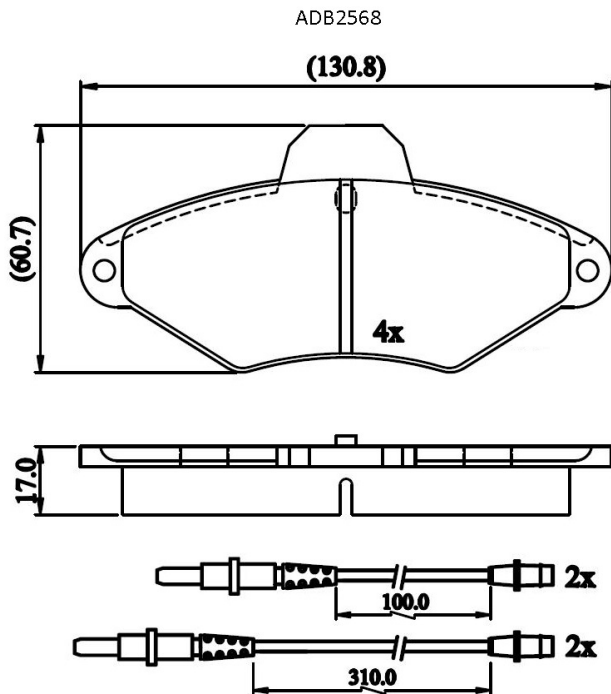


**Make: CITRON**

**Model: Xantia**

**Part Number: ADB2568**

**Vehicle Manufacturing/Engine:**



## Specifications

<b>Fitting Position</b>	:	Front
<b>Model Date</b>	:	01/93->
<b>Or. Caliper</b>	:	Bendix
<b>WVA</b>	:	21631
<b>FMSI</b>	:	
<b>Length</b>	:	130.8
<b>Width</b>	:	60.7
<b>Thickness</b>	:	17