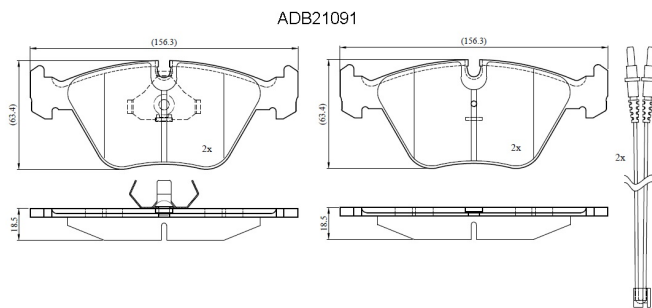


**Make: CITRON**

**Model: XM**

**Part Number: ADB21091**

**Vehicle Manufacturing/Engine:**



## Specifications

|                         |   |                |
|-------------------------|---|----------------|
| <b>Fitting Position</b> | : | Front          |
| <b>Model Date</b>       | : | 05/97-10/00    |
| <b>Or. Caliper</b>      | : | Bosch          |
| <b>WVA</b>              | : | 2,12,11,20,968 |
| <b>FMSI</b>             | : |                |
| <b>Length</b>           | : | 156.3          |

|                  |   |      |
|------------------|---|------|
| <b>Width</b>     | : | 63.4 |
| <b>Thickness</b> | : | 18.5 |