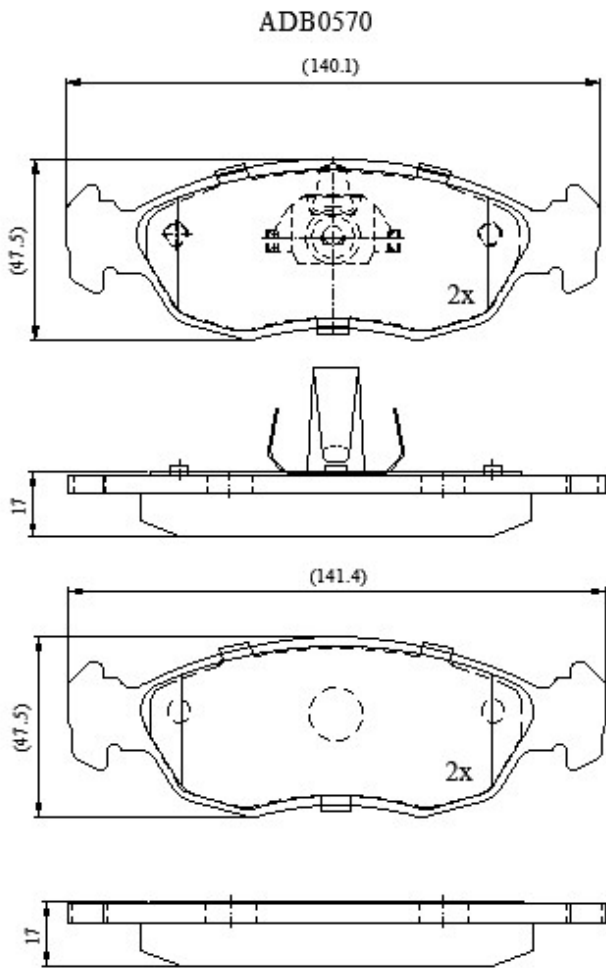


Make: CITRON

Model: Xsara -> 9/00

Part Number: ADB0570

Vehicle Manufacturing/Engine:



Specifications

| | | |
|-------------------------|---|-------------|
| Fitting Position | : | Front |
| Model Date | : | 11/97-09/00 |
| Or. Caliper | : | Ate |
| WVA | : | 21827 |
| FMSI | : | |
| Length | : | 140.1/141.4 |
| Width | : | 47.4 |
| Thickness | : | 17 |