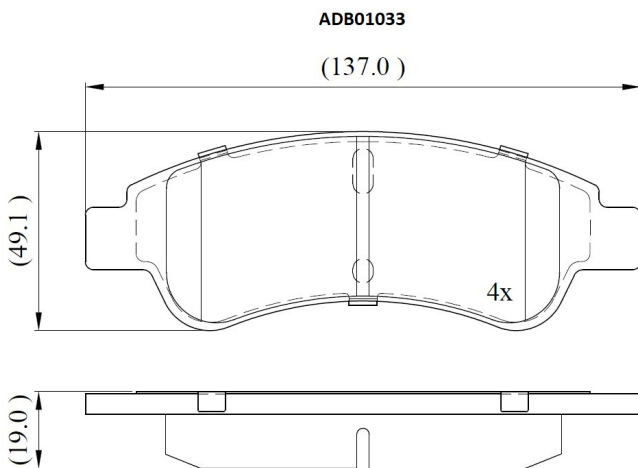


**Make: CITRON**

**Model: Xsara -> 9/00**

**Part Number: ADB01033**

**Vehicle Manufacturing/Engine:**



### Specifications

|                         |   |         |
|-------------------------|---|---------|
| <b>Fitting Position</b> | : | Front   |
| <b>Model Date</b>       | : | 09/00-> |
| <b>Or. Caliper</b>      | : | Bosch   |
| <b>WVA</b>              | : | 23599   |

|                  |   |     |
|------------------|---|-----|
| <b>FMSI</b>      | : |     |
| <b>Length</b>    | : | 137 |
| <b>Width</b>     | : | 49  |
| <b>Thickness</b> | : | 19  |