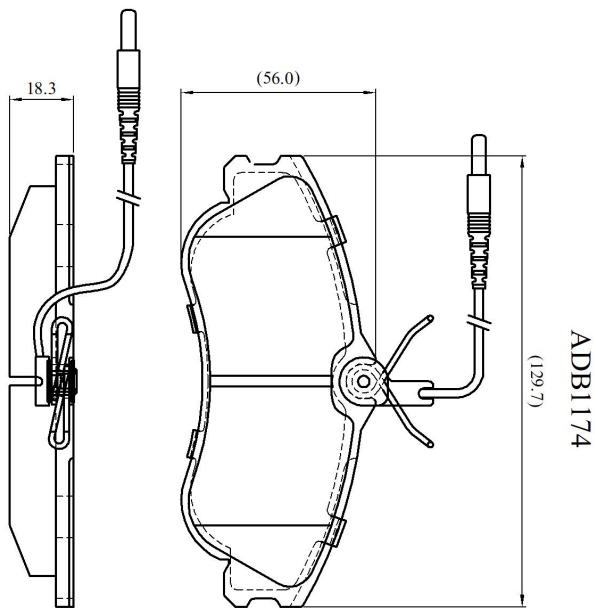


**Make: CITRON**

**Model: Xsara -> 9/00**

**Part Number: ADB1174**

**Vehicle Manufacturing/Engine:**



## Specifications

|                         |   |         |
|-------------------------|---|---------|
| <b>Fitting Position</b> | : | Front   |
| <b>Model Date</b>       | : | 09/00-> |

|                    |   |       |
|--------------------|---|-------|
| <b>Or. Caliper</b> | : | Lucas |
| <b>WVA</b>         | : | 23124 |
| <b>FMSI</b>        | : |       |
| <b>Length</b>      | : | 129.7 |
| <b>Width</b>       | : | 56    |
| <b>Thickness</b>   | : | 18.3  |