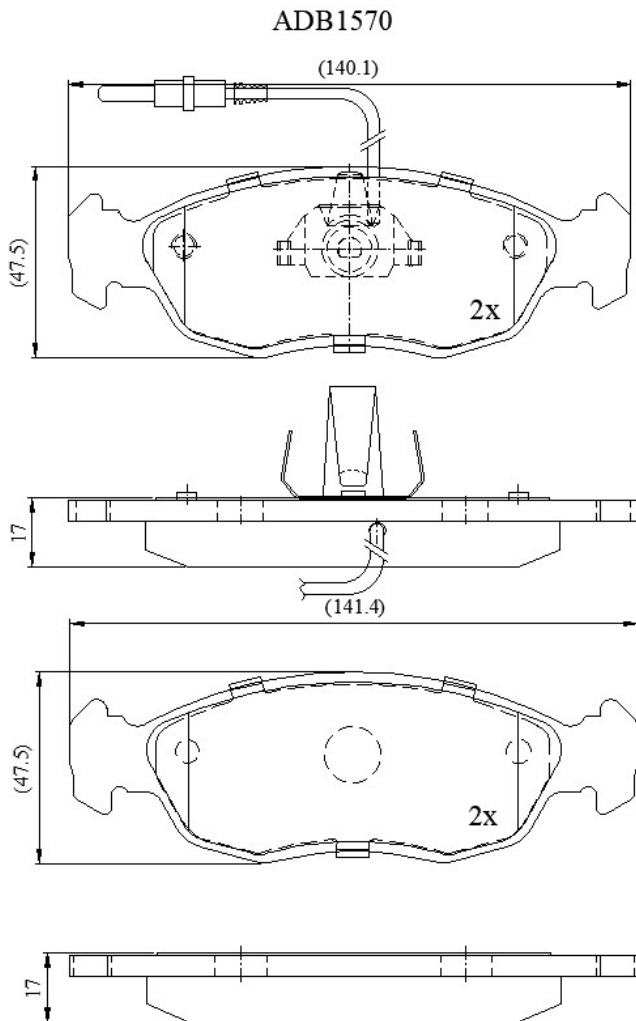


**Make: CITRON**

**Model: Xsara -> 9/00**

**Part Number: ADB1570**

**Vehicle Manufacturing/Engine:**



## Specifications

<b>Fitting Position</b>	:	Front
<b>Model Date</b>	:	11/97-09/00
<b>Or. Caliper</b>	:	Ate
<b>WVA</b>	:	21430
<b>FMSI</b>	:	
<b>Length</b>	:	141.4/140.1
<b>Width</b>	:	47
<b>Thickness</b>	:	17