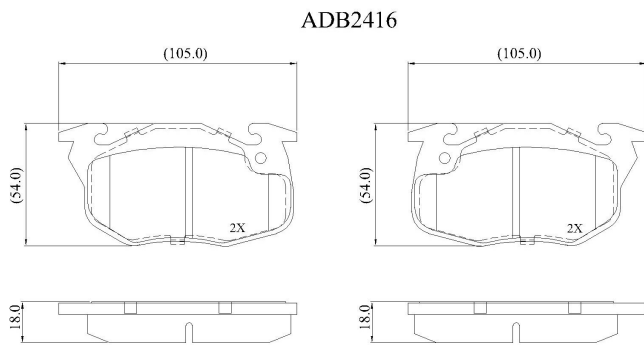


**Make: CITRON**

**Model: ZX Estate**

**Part Number: ADB2416**

**Vehicle Manufacturing/Engine:**



### Specifications

<b>Fitting Position</b>	:	Front
<b>Model Date</b>	:	1993-1997
<b>Or. Caliper</b>	:	
<b>WVA</b>	:	2,10,61,20,906
<b>FMSI</b>	:	

<b>Length</b>	:	105
<b>Width</b>	:	54
<b>Thickness</b>	:	18