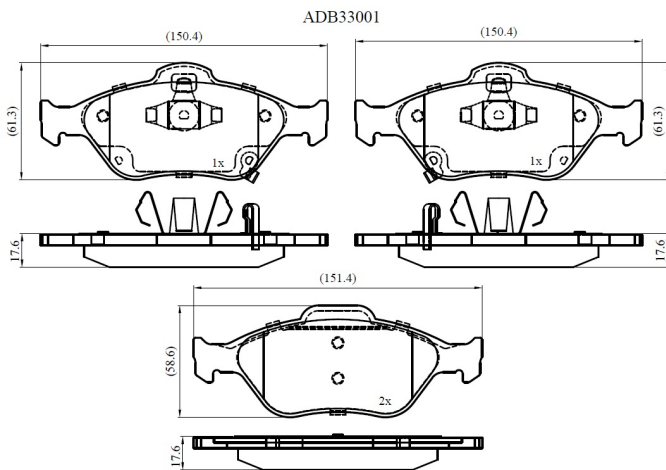


**Make: DAIHATSU**

**Model: CHARADE VIII**

**Part Number: ADB33001**

**Vehicle Manufacturing/Engine:**



### Specifications

<b>Fitting Position</b>	:	Front
<b>Model Date</b>	:	2011-
<b>Or. Caliper</b>	:	
<b>WVA</b>	:	24022

<b>FMSI</b>	:
<b>Length</b>	:
<b>Width</b>	:
<b>Thickness</b>	: