

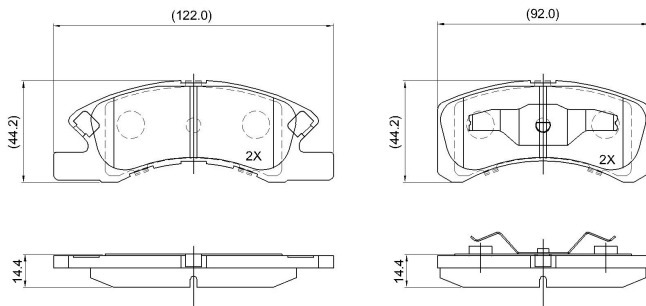
**Make: DAIHATSU**

**Model: Charade**

**Part Number: ADB32249**

**Vehicle Manufacturing/Engine:**

ADB32249



### Specifications

<b>Fitting Position</b>	:	Front
<b>Model Date</b>	:	03/03-
<b>Or. Caliper</b>	:	
<b>WVA</b>	:	2,42,29,24,230
<b>FMSI</b>	:	

<b>Length</b>	:	92.20/122.10
<b>Width</b>	:	44.4
<b>Thickness</b>	:	15.3