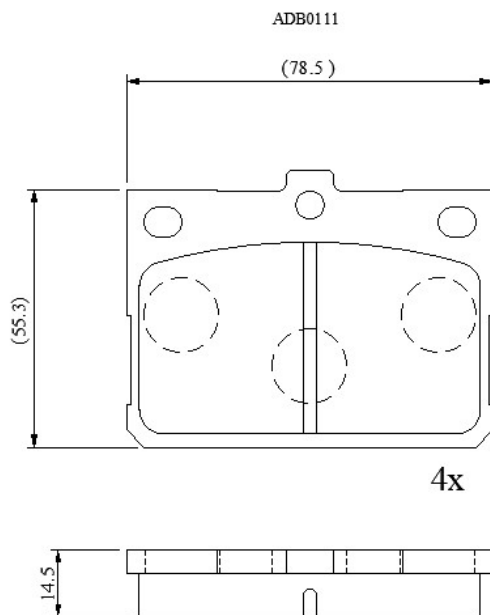


Make: DAIHATSU

Model: Charment

Part Number: ADB0111

Vehicle Manufacturing/Engine:



Specifications

| | | |
|-------------------------|---|-------------|
| Fitting Position | : | Front |
| Model Date | : | 08/83-01/89 |
| Or. Caliper | : | Sumitomo |
| WVA | : | 20703 |
| FMSI | : | |
| Length | : | 78.5 |
| Width | : | 59.5 |
| Thickness | : | 14.5 |