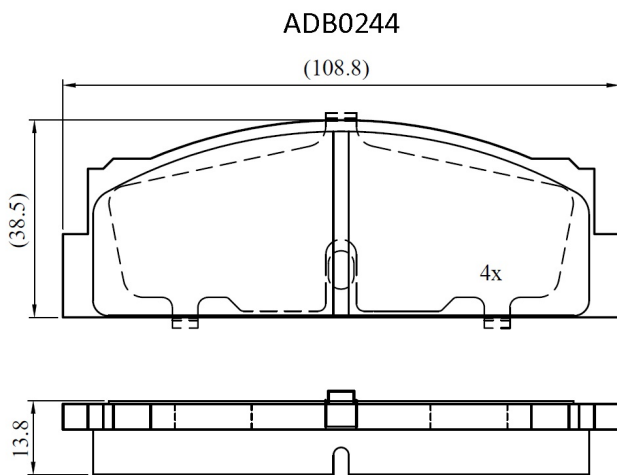


**Make: DAIHATSU**

**Model: Charment**

**Part Number: ADB0244**

**Vehicle Manufacturing/Engine:**



### Specifications

<b>Fitting Position</b>	:	Front
<b>Model Date</b>	:	01/76-01/81
<b>Or. Caliper</b>	:	Bendix

<b>WVA</b>	:	20073
<b>FMSI</b>	:	
<b>Length</b>	:	108.75
<b>Width</b>	:	38.5
<b>Thickness</b>	:	14