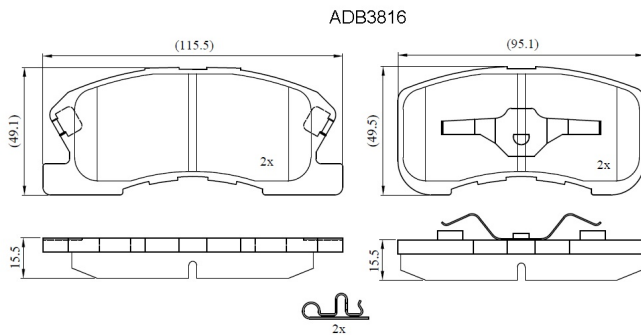


**Make: DAIHATSU**

**Model: Move, Move +**

**Part Number: ADB3816**

**Vehicle Manufacturing/Engine:**



## Specifications

<b>Fitting Position</b>	:	Front
<b>Model Date</b>	:	01/99->
<b>Or. Caliper</b>	:	Akebono
<b>WVA</b>	:	23497
<b>FMSI</b>	:	
<b>Length</b>	:	115.5

<b>Width</b>	:	49.1
<b>Thickness</b>	:	15.5